

Single V-Pol Sector Antenna

Model: DS0809G17V90

800-960MHz; 90° 16.5dBi/17dBi

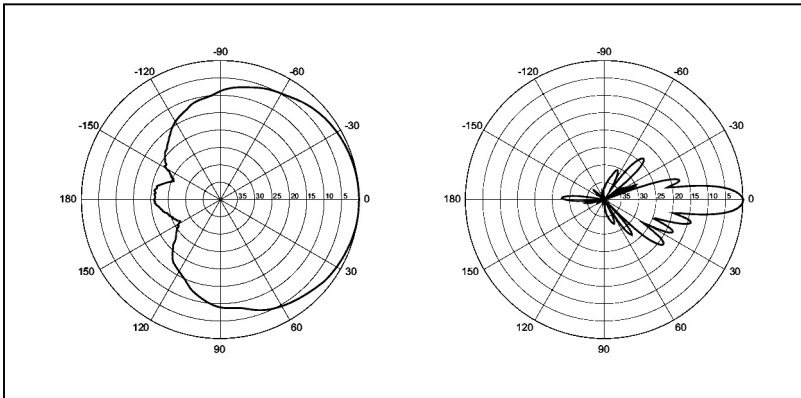
Mechanical Downtilt: 0-8deg

Electrical specifications		
Frequency Range(MHz)	800-870	870-960
Polarization	Vertical	
Gain (dBi)	16.5	17
Mechanical downtilt (°)	0-8°	
Half-power beam width (°)	Hor:90	Hor:88
	Ver:7.5	Ver:7
Front-to-back ratio (dB)	≥23	
Impedance (Ω)	50	
VSWR	≤1.5	
Maximum input power (W)	500	
Lightning protection	DC Ground	

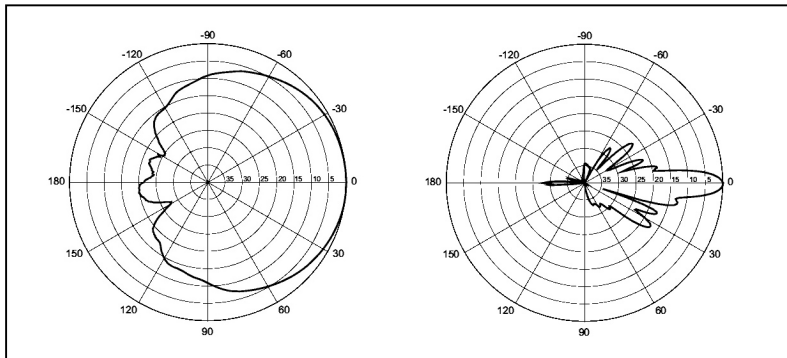
Mechanical specifications	
Connector	N-Female
Connector position	Bottom
Height×width×depth (mm)	2400×160×80
Packing size (mm)	2600×200×180
Antenna weight (kg)	15
Installation kit weight (kg)	4.3
Packing weight (kg)	30
Wind loading area (m2)	0.58
Max. wind velocity (m/s)	60
Reflector material	Aluminum Alloy
Radome material	UV PVC
Radome color	Gray
Mechanical tilt (°)	0~8
Operating temperature (°C)	-50~65
Mounting hardware (mm)	φ50~φ115



Radio Pattern



Radio Pattern 800-870MHz



Radio Pattern 870-960MHz